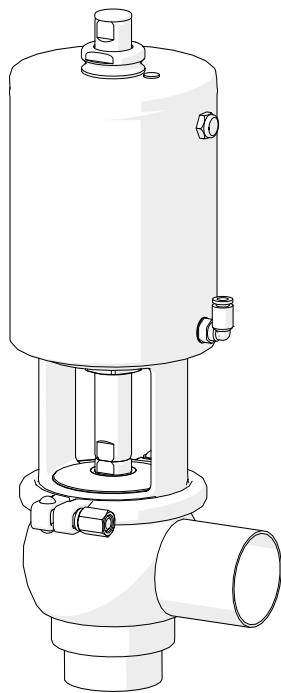


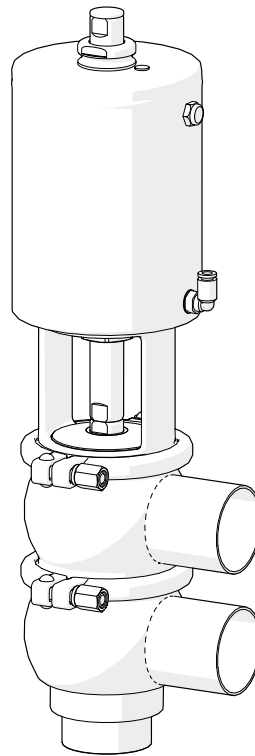
INSTALLATION, SERVICE AND MAINTENANCE INSTRUCTIONS

## SINGLE SEAT VALVE

# INNOVA N / K



10.240.32.0099



10.240.32.0098



Original Instructions

10.240.30.11EN

(0) 2024/01

# EC Declaration of Conformity



## INOXPA S.A.U.

Telers, 60  
17820 - Banyoles (Spain)

hereby declare under our sole responsibility that the

Machine: **SINGLE SEAT VALVE**

Model: **INNOVA**

Type: **N / K**

Size: **DN 25 - DN 100 / OD 1" - OD 4"**

Serial number: **IXXXXXXXXXX to IXXXXXXXXXX**  
**XXXXXXXXXXIINXXX to XXXXXXXXXXXIINXXX**

fulfills all the relevant provisions of the following directive:

**Machinery Directive 2006/42/EC<sup>1</sup>**  
**Pressure Equipment Directive 2014/68/EU<sup>2,3</sup>**  
**Regulation (EC) n° 1935/2004**  
**Regulation (EC) n° 2023/2006**

and with the following harmonized standards and/or regulations:

**EN ISO 12100:2010, EN ISO 13732-1:2008, EN 1672-2:2005+A1:2009,**  
**EN ISO 14159:2008, EN 12266-1:2012, EN 19:2016**

The technical file has been prepared by the signer of this document.

David Reyer Brunet  
Technical Office Manager  
2nd January 2024



Document: 10.240.30.09EN

Revision: (0) 2024/01

<sup>1</sup>INNOVA N / K with pneumatic actuator

<sup>2</sup>INNOVA N / K with manual or pneumatic actuator

<sup>3</sup>DN≤25 Designed and manufactured in accordance with the sound engineering practice  
DN>25 Class I equipment. Conformity assessment procedure used: Module A

# Declaration of Conformity



## INOXPA S.A.U.

Telers, 60  
17820 - Banyoles (Spain)

hereby declare under our sole responsibility that the

Machine:	<b>SINGLE SEAT VALVE</b>
Model:	<b>INNOVA</b>
Type:	<b>N / K</b>
Size:	<b>DN 25 - DN 100 / OD 1" - OD 4"</b>
Serial number:	<b>IXXXXXXXXXX to IXXXXXXXXXX XXXXXXXXXXIINXXX to XXXXXXXXXXXIINXXX</b>

fulfils all the relevant provisions of these regulations:

**Supply of Machinery (Safety) Regulations 2008<sup>1</sup>**  
**Pressure Equipment (Safety) Regulations 2016<sup>2,3</sup>**

and with the following designated standards:

**EN ISO 12100:2010, EN ISO 13732-1:2008, EN 1672-2:2005+A1:2009,  
EN ISO 14159:2008, EN 12266-1:2012, EN 19:2016**

The technical file has been prepared by the signer of this document.

David Reyer Brunet  
Technical Office Manager  
2nd January 2024



Document: 10.240.30.10EN

Revision: (0) 2024/01

<sup>1</sup>INNOVA N / K with pneumatic actuator

<sup>2</sup>INNOVA N / K with manual or pneumatic actuator

<sup>3</sup>DN≤25 Designed and manufactured in accordance with the sound engineering practice  
DN>25 Class I equipment. Conformity assessment procedure used: Module A

# 1. Table of Contents

<b>1. Table of Contents</b>	
<b>2. Generalities</b>	
2.1. Instructions manual .....	5
2.2. Compliance with the instructions .....	5
2.3. Warranty .....	5
<b>3. Safety</b>	
3.1. Warning symbols.....	6
3.2. General safety instructions .....	6
<b>4. General Information</b>	
4.1. Description .....	7
4.2. Application.....	7
<b>5. Installation</b>	
5.1. Reception of the valve.....	8
5.2. Transport and storage .....	8
5.3. Identification of the valve.....	8
5.4. Location .....	10
5.5. Direction of flow.....	10
5.6. General installation .....	10
5.7. Checking and review .....	11
5.8. Welding .....	11
5.9. Valve configuration with actuator.....	12
5.10. Actuator air connection.....	12
<b>6. Start-up</b>	
<b>7. Operating problems</b>	
<b>8. Maintenance</b>	
8.1. General considerations.....	15
8.2. Maintenance .....	15
8.3. Cleaning.....	16
8.4. Disassembly and assembly of the INNOVA N valve .....	18
8.5. Disassembly and assembly of the INNOVA K valve .....	20
8.6. Replacing the seat seal .....	22
8.7. Actuator configuration.....	23
8.8. Disassembly and assembly of adapter kit of the control head.....	23
<b>9. Technical Specifications</b>	
9.1. Valve .....	24
9.2. Actuator .....	24
9.3. Materials .....	24
9.4. Sizes available.....	24
9.5. Weights of INNOVA N valve .....	24
9.6. Weights of INNOVA K valve .....	25
9.7. Dimensions of the INNOVA N valve .....	25
9.8. Dimensions of the INNOVA K valve.....	27
9.9. Exploded drawing and parts list of the INNOVA N valve .....	29
9.10. Exploded drawing and parts list of the INNOVA K valve .....	31

## 2. Generalities

### 2.1. INSTRUCTIONS MANUAL

This manual contains information about the reception, installation, operation, assembly and maintenance of the single seat valve INNOVA N and INNOVA K.

Carefully read the instruction prior to starting the valve, familiarize yourself with the installation, operation and correct use of the valve and strictly follow the instructions. These instructions should be kept in a safe location near the installation area.

The information published in the instruction manual is based on updated data.

INOXPA reserves the right to modify this instruction manual without prior notice.

### 2.2. COMPLIANCE WITH THE INSTRUCTIONS

Not following the instructions may impose a risk for the operators, the environment and the machine, and may cause the loss of the right to claim damages.

This non-compliance may cause the following risks:

- failure of important machine/plant functions,
- failure of specific maintenance and repair procedures,
- possible electrical, mechanical and chemical hazards,
- risk to the environment due to the type of substances released.

### 2.3. WARRANTY

The conditions of the warranty are specified in the General Sales Condition that has been delivered at the time of placing your order.



The machine may not undergo any modification without prior approval from the manufacturer.

For your safety, only use original spare parts and accessories. The usage of other parts will relieve the manufacturer of any liability.

Changing the service conditions can only be carried out with prior written authorization from INOXPA.

The non-compliance of the prescribed indications in this manual means misuse of this gear on the technical side and the personal safety and this exempts INOXPA of all responsibility in case of accidents and personal injuries and/or property damage. Also, excluded from the warranty all breakdowns caused by improper use of the gear.

Please do not hesitate to contact us in case of doubts or if further explanations are required regarding specific data (adjustments, assembly, disassembly, etc.).

# 3. Safety

## 3.1. WARNING SYMBOLS



Safety hazard for people in general and/or equipment

### ATTENTION

Important instruction to prevent damage to the equipment and/or its function

## 3.2. GENERAL SAFETY INSTRUCTIONS



Read the instruction manual carefully before installing and starting the valve. Contact INOXPA in case of doubt.

### 3.2.1. During installation



Always take into account the [Technical Specifications of chapter 9](#).

The installation and use of the valve should always be in accordance with applicable regulations regarding health and safety.

Before starting up the valve, check that it is assembled correctly and its shaft is perfectly aligned. Incorrect alignment and/or excessive stress during coupling can cause serious mechanical problems in the valve.

### 3.2.2. During operation



Always take into account the [Technical Specifications of chapter 9](#).

NEVER exceed the specified limit values.

NEVER touch the valve and/or piping that is in contact with the fluid during operation. If the process involves hot products there is a risk of burns.

The valve contains parts that move in a linear fashion. Do not place hands or fingers in the valve closing area. This can cause serious injury.

### 3.2.3. During maintenance



Always take into account the [Technical Specifications of chapter 9](#).

NEVER disassemble or remove the valve until the pipes have been emptied. Bear in mind that the fluid in the pipe may be hazardous or extremely hot. Consult the regulations in effect in each country for these cases.

Inside the actuator there is a spring with an applied load. The steps specified in this manual must be followed when performing maintenance operations to avoid injury.

Do not leave loose parts on the floor.

## 4. General Information

### 4.1. DESCRIPTION

The single-seat valves INNOVA N and INNOVA K are a sanitary and flexible design. The single-seat valve INNOVA N is a shut-off valve used to open or close pipe sections. The single seat valve INNOVA K is a divert valve to divert the product with a converging flow.

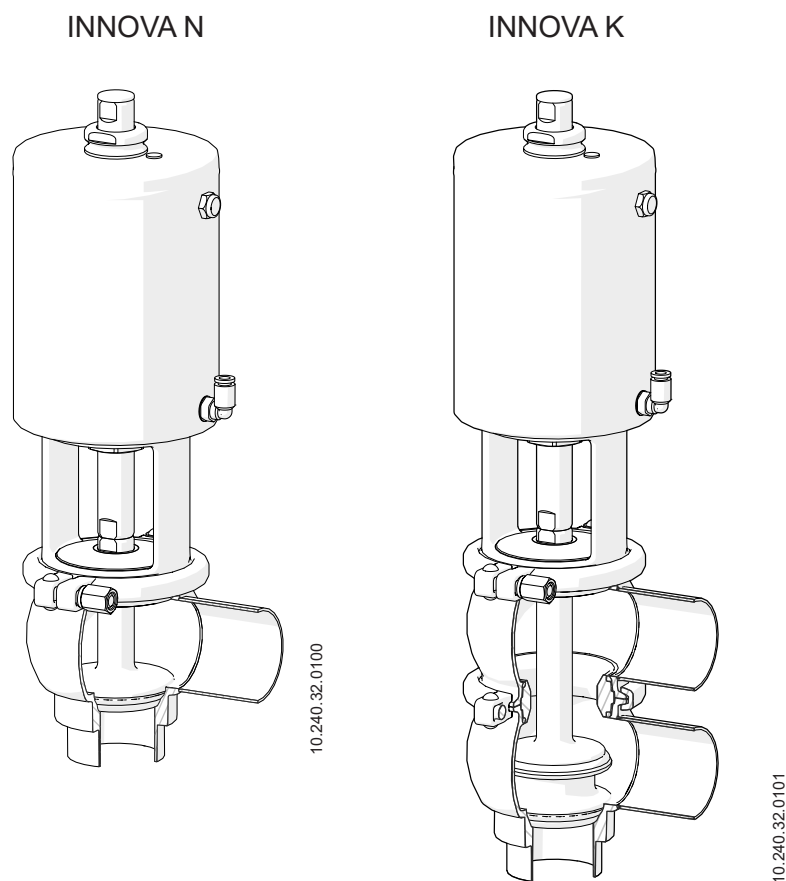
These valves only have one seal to separate two pipelines. They are not suitable for separating incompatible products since if the seal has a defect, it cannot be detected, and the products could mix.

### 4.2. APPLICATION

The single seat valves INNOVA N and INNOVA K are suitable for a wide range of applications in the food, beverage, pharmaceutical and chemical industries.

The INNOVA N valve is usually used for emptying, drainage or as shut-off valve on a bypass line.

The INNOVA K valve is often used to supply CIP and on return lines.



# 5. Installation

## 5.1. RECEPTION OF THE VALVE



INOXPA is not liable for any deterioration of the material caused by its transport or unpacking.

When receipt the valve, check to see whether all the parts listed on the delivery slip are present:

- complete valve,
- its components if any are supplied,
- instruction manual.

INOXPA inspects all its equipment before packaging. However, it cannot guarantee that the merchandise arrives at the user intact.

When unpacking the valve:

- remove any possible traces of packaging from the valve or its parts,
- inspect the valve or the parts that comprise it for possible damage incurred during shipping,
- take all possible precautions against damage to the valve and its components.

## 5.2. TRANSPORT AND STORAGE



The buyer or user shall be liable for assembly, installation, start-up and operation of the valve.

Take all possible precautions when transport and storage the valve to avoid damage it and its components.

## 5.3. IDENTIFICATION OF THE VALVE

Each valve is inscribed with its fabrication number. Indicate the fabrication number on all documents to refer to the valve.

 	
INOXPA S.A.U. C. TELERS, 60 - 17820 BANYOLES GIRONA (SPAIN) . www.inoxpa.com	
<b>Type</b> <b>Serial</b> <b>Air</b>	<b>Size</b> <b>Year</b>

10.251.32.0043



WB	N	L	0	-	0	06	52	050	12	0	
										<b>Options</b>	
										0 ID Ra ≤ 0,8	
										1 ID Ra ≤ 0,5	
										<b>Actuator</b>	
										11 T1 A/S NC	
										12 T2 A/S NC	
										13 T3 A/S NC	
										14 T4 A/S NC	
										21 T1 A/S NO	
										22 T2 A/S NO	
										23 T3 A/S NO	
										24 T4 A/S NO	
										31 T1 A/A	
										32 T2 A/A	
										33 T3 A/A	
										34 T4 A/A	
										<b>Size</b>	
										025 DN 25, OD 1"	065 DN 65
										040 DN 40, OD 1½"	076 OD 3"
										050 DN 50, OD 2"	080 DN 80
										063 OD 2½"	100 DN 100, OD 4"
										<b>Seals</b>	
										43 HNBR	
										52 EPDM	
										78 FPM	
										<b>Material</b>	
										06 1.4404 (AISI 316L)	
										<b>Connection</b>	
										0 Weld	
										<b>Standard pipe</b>	
										0 DIN	
										1 OD	
										<b>Body configuration</b>	
										L,T 1 body	
										A,B,C,D,E,F,G,H 2 bodies	
										J,P,R,S,V,W,X,Z 3 bodies	
										<b>Type</b>	
										N shut-off valve (reverse acting)	
										K routing (converging flow)	
										<b>Product family</b>	
										WB INNOVA valve	

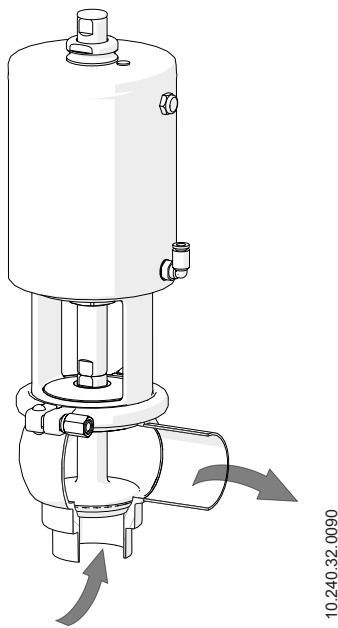
## 5.4. LOCATION

Place the valve leaving enough space around it to realize easily the dismantling, the inspection and the review the valve as well as in order to access to the actuator air connection's device for valves with automatic actuation even when the valve is operating. Consult in chapter 5.7. [Welding](#) the required minimum distances. The installation should allow that the removable parts are could remove easily.

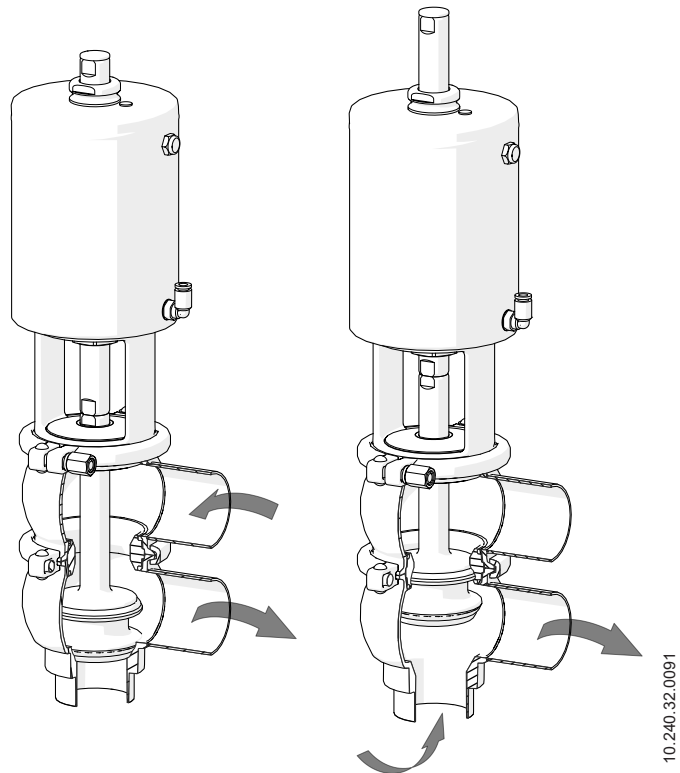
## 5.5. DIRECTION OF FLOW

The recommended direction of flow is contrary to the movement of the valve closing so that when the valve is closing, the valve will always work against the fluid pressure. Follow these indications to avoid the water hammer, which can occur when valves close, minimising its consequences. The next figures show the recommende direction of flow as well as the direction of closing.

INNOVA N



INNOVA K



## 5.6. GENERAL INSTALLATION

After the location of the valve is defined, the valve can be joined to the pipe by welding the valve housing or using fittings.

The connections must be EHEDG-approved as described in EHEDG Position Paper (see [www.ehedg.org/guidelines](http://www.ehedg.org/guidelines)).

### ATTENTION



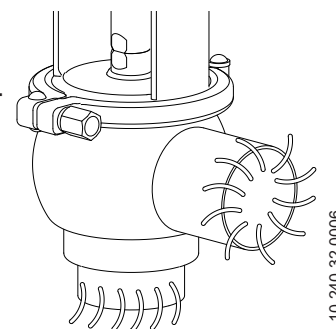
For INNOVA N and INNOVA K valves is recommended that the union for one of the bodies be made using a fitting to facilitate valve disassembly.

In case of joining the valve to the pipe by fittings do not forget the seals and tighten the unions properly.

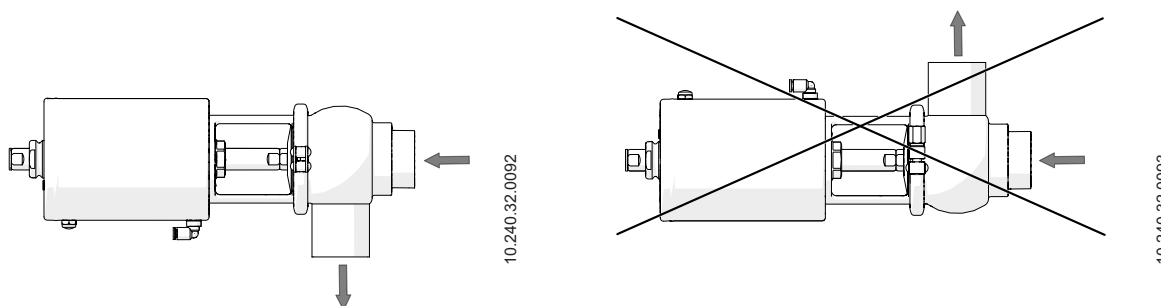
If instead, the valve is joined by welding, before starting to weld the valve bodies to the pipe disassemble the valve to prevent damage to the joints, following the instructions in chapter 8.4. [Disassembly and assembly the valve.](#)

During installation, the valve avoids using excessive force and pay special attention to:

- vibrations that may be produced on the facility,
- thermal dilation that the pipe may undergo when hot fluids are circulating,
- the weight that the pipe can support,
- excessive welding current.



Due to the design of the bodies, the valve is completely drainable in a vertical position. In case of placing the valve in other positions, horizontal or inclined, to assure the self-draining, install the valve with at least the port that occupies the lowest position facing downwards.



## 5.7. CHECKING AND REVIEW

Perform the following checks before using the valve:

- check that the clamps and nuts are tightened,
- open and close the valve, applying compressed air to the actuator, several times to make sure it operates correctly and that the shaft seal is coupled smoothly to the valve body.

## 5.8. WELDING



Welding work should only be done by qualified persons who are trained and equipped with the necessary equipment to perform this kind of work.

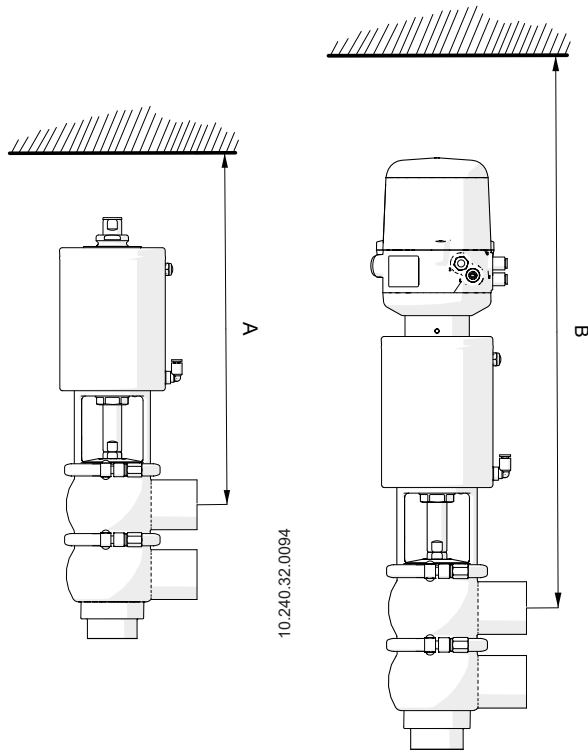
All welded joint shall have full penetration, be free of pits, folds, crevices, cracks and misalignments; and may have an as-welded interior surface finish as per AWS/ANSI D 18.1. The weld discoloration in the as-welded condition shall be either weld 1, 2 or 3 as shown in AWS/ANSI D 18.2 or weld No 1,2,3,4, or 5 as shown in EHEDG Guideline 35.

To perform the welding works:

- disassemble the valve as indicated in chapter 8.4. [Disassembly and assembly the valve](#),
- weld the valve body to the pipes maintaining the distance indicated in the following table. This will allow for the disassembly of the valve, doing the subsequent reviews and changing the necessary valve pieces like seals, bushings, etc.

	DIN - OD	A [mm]	B [mm]
A/S	25 - 1"	310	450
	40 - 1½"	310	460
	50 - 2"	360	510
	65 - 2½"	380	530
	80 - 3"	380	530
	100 - 4"	410	560
A/A	25 - 1"	280	420
	40 - 1½"	280	430
	50 - 2"	310	460
	65 - 2½"	330	480
	80 - 3"	330	480
	100 - 4"	360	510

10.240.14.0016



10.240.32.0096

For INNOVA K valves is recommended that the union for on of the bodies be made using a fitting to facilitate valve disassembly.

### 5.9. VALVE CONFIGURATION WITH ACTUATOR

The standard configuration of the valves is NC (normally closed).

It is possible to convert it to NO (normally open) simply by turning the valve actuator, according to chapter 8.7. [Actuator configuration](#).



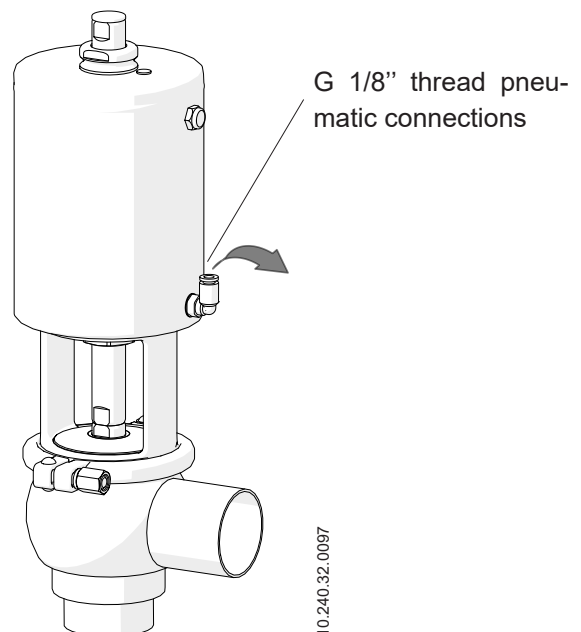
Always disconnect the compressed air before starting to disassemble the valve. Never disassemble the valve clamps directly without reading the instructions carefully, since the actuator contains a spring inside it with an applie load. Valve and actuator assembly and disassembly should only be done by qualified persons.

### 5.10. ACTUATOR AIR CONNECTION

To perform the air connection to the actuator:

- connect and check the air connections (G 1/8" thread for tubing Ø6 mm) with thread in accordance with double-effect or simple effect needs.
- mind the quality of the compressed air according to the specifications described in chapter 9. [Technical Specifications](#).

Depending on the configuration, the actuator may have one or two air connections.



10.240.32.0097

## 6. Start-up



Read carefully the instructions in chapter 5. [Installation](#) before start-up the valve.



Before start-up, the persons in charge must be duly informed about how the valve works and the safety instructions to follow. This instruction manual will be available to personnel at all times.

Before putting the valve or the actuator into service the following must be taken into consideration:

- check that the piping and valve are completely free of possible traces of welding slag or other foreign particles. Clean the system if necessary,
- check to make sure the valve moves smoothly. If necessary, lubricate it with special grease or soapy water,
- check for possible leaks, and make sure the pipes and their connections are sealed and do not have any leaks,
- if the valve has been supplied with an actuator, make sure that the alignment of the valve shaft and the actuator shaft enables smooth movement,
- check that the compressed air pressure at the inlet of the actuator matches what is indicated in chapter 9. [Technical Specifications](#),
- consider the quality of the compressed air, according to the specifications described in chapter 9. [Technical Specifications](#),
- activate the valve.

### ATTENTION



Do not modify the operating parameters for which the valve has been designed without prior written authorisation from INOXPA.

Do not touch the moving parts of the coupling between the actuator and the valve when the actuator is connected to the compressed air supply.



¡Burn hazard! Do not touch the valve or the pipes when hot fluids are circulating or when cleaning and/or sterilization are being carried out.

# 7. Operating problems

The upper shaft does not rise during impulses	
The individual seats do not clean	
Internal leak of product (valve closed)	
Jerky valve operation	
POSSIBLE CAUSES	SOLUTIONS
<ul style="list-style-type: none"> <li>The seal or guide bushing is worn, deteriorated or has gotten stuck</li> </ul>	Replace the seals. Replace the seals with ones made of a different material or grade that is more appropriate for the product. Lubricate with soapy water or a lubricant that is compatible with the seal material and the product.
<ul style="list-style-type: none"> <li>Insufficient air pressure</li> </ul>	Replace the actuator with a larger one. Increase the compressed air pressure.
<ul style="list-style-type: none"> <li>Normal seal wear</li> </ul>	Replace the seals.
<ul style="list-style-type: none"> <li>Premature wear of the seal/affected by the product</li> </ul>	Replace the seals with ones made of a different material or grade that is more appropriate for the product. Reduce the pressure in the line. Lower the operating temperature.
<ul style="list-style-type: none"> <li>Product residue has deposited on the valve seat and/or plug</li> </ul>	Clean frequently.
<ul style="list-style-type: none"> <li>Excess product pressure</li> </ul>	Replace the actuator with a larger one. Connect an auxiliary compressed air nipple on the side of the spring to offset the excess pressure without exceeding 4 bar. Reduce the product pressure.
<ul style="list-style-type: none"> <li>Loss of seal (vibrations)</li> </ul>	Tighten loose parts.
<ul style="list-style-type: none"> <li>Product pressure exceeds the actuator specifications</li> </ul>	Replace the actuator with a larger one. Reduce the product pressure. Use auxiliary air on the spring side.
<ul style="list-style-type: none"> <li>Warping of seals</li> </ul>	Replace the seals with ones of a different quality if they have deteriorated prematurely.
<ul style="list-style-type: none"> <li>Actuator spring is in poor condition and/or suck (dirty)</li> </ul>	Replace the spring or clean.
<ul style="list-style-type: none"> <li>The direction of flow is the same as the direction of closing</li> </ul>	The direction of flow should go against the direction of closing. Choke the air discharge to reduce the pressure.

# 8. Maintenance

## 8.1. GENERAL CONSIDERATIONS

This valve, just like any other machine, requires maintenance. The instructions in this chapter cover the maintenance of the valve, the identification and replacement of the spare parts and the disassembly and assembly of the valve. The instructions are aimed at maintenance personnel and those responsible for the supply of spare parts.



Read carefully the chapter [9. Technical Specifications](#).

Maintenance work should only be done by qualified persons who are trained and equipped with the necessary equipment to perform this kind of work.

All replaced material should be duly disposed or recycled according to the directives in effect in each area.

Make sure that the pipes are not under pressure before starting maintenance work..

## 8.2. MAINTENANCE

To perform maintenance properly is recommended:

- periodic inspection of the valve and its components,
- keeping an operational record of each valve writing down any problems,
- always having spare replacement seals in stock.

Pay special attention to the hazard warnings indicated in this manual during the performance of the maintenance work.



The valve and the pipes must never be under pressure during maintenance.

⚠ Burn hazard! Do not touch the valve or the pipes when hot fluids are circulating or when cleaning and/or sterilization are being carried out.

The time interval between each preventive maintenance may vary in accordance with the work conditions to which the valve is subject: temperature, pressure, number of operations per day, type of cleaning solutions used, etc.

### 8.2.1. Maintenance of the seals

#### REPLACING SEAL

Preventive maintenance	Replace after 12 months
Maintenance after a leak	Replace at the end of the process
Planned maintenance	Regularly check the absence of leaks and the smooth operation of the valve. Keep a record of the valve's maintenance. Use statistics for planning inspections.
Lubrication	During assembly, apply lubricants that are suitable with the material of which the seat seal is made. See the following table.

SEAL COMPONENT	LUBRICANT	NLGI DIN 51818 Class
HNBR / FPM	klübersynth UH 1 64-2403	3
EPDM / HNBR / FPM	PARALIQ GTE 703	3

### 8.2.2. Storage

The valves should be stored in a closed area under the following conditions:

- temperature between 15°C y 30°C,
- air humidity < 60%

Storage of the equipment outdoors is NOT allowed.

### 8.2.3. Spare parts

To request spare parts is necessary to indicate the type of valve, the size, the fabrication number, the position and the description of the part which can be found in chapter 9. [Technical Specifications](#).

## 8.3. CLEANING



The use of aggressive cleaning products such as caustic soda and nitric acid may burn the skin.

Wear rubber gloves during all cleaning procedures.

Always wear protective goggles.

### 8.3.1. CIP (clean-in-place) cleaning

If the valve is installed in a system with a CIP process, its disassembly will not be required. EPDM is the standard seal material that will be used for CIP cleaning, both in alkaline mediums and in acid mediums. The materials of the seal HNBR and FPM are not recommended.

Two types of solutions can be used for CIP processes:

**a. alkaline solution:** 1% by weight of caustic soda (NaOH) at 70°C (150°F). To make this solution:

1 kg NaOH + 100 l H<sub>2</sub>O<sup>1</sup> = cleaning solution

2,2 l NaOH at 33% + 100 l H<sub>2</sub>O = cleaning solution

**b. acid solution:** 0,5% by weight of nitric acid (HNO<sub>3</sub>) at 70°C (150°F). To make this solution:

0,7 l HNO<sub>3</sub> at 53% + 100 l H<sub>2</sub>O = solución de limpieza

1) only use chlorine-free water to mix with the cleaning agents

#### ATTENTION



Check the concentration of the cleaning solutions. An incorrect concentrations may lead to the deterioration of the valve seals.

To remove any traces of cleaning products, ALWAYS perform a final rinse with clean water at the end of the cleaning process.



Clean the entire interior and exterior of the valve before starting disassembly and assembly tasks.

### 8.3.2. Automatic SIP (sterilization-in-place)

Sterilization with steam is applied to all equipment including the pipping.



**ATTENTION**

Do NOT start the equipment during the sterilization with steam.

The parts and the materials will not be damaged if the indications specified in this manual are observed.

No cold fluid can enter the equipment until the temperature of the equipment is lower than 60°C (140°F).

Maximum conditions during the SIP process with steam or superheated water:

- a. maximum temperature: 140°C / 284°F
- b. maximum time: 30 min
- c. cooling: sterile air or inter gas
- d. materials: EPDM (the materials HNBR and FPM are not recommended)

## 8.4. DISASSEMBLY AND ASSEMBLY OF THE INNOVA N VALVE



Proceed with caution. Personal injury can occur.

Always disconnect the compressed air before starting to disassemble the valve.

Never disassemble the valve clamps directly without reading the instructions carefully, since the actuator contains a spring inside it with an applied load.

Valve and actuator assembly and disassembly should only be done by qualified persons.

The following tools are needed in order to disassembly and assembly the valve and the drives:

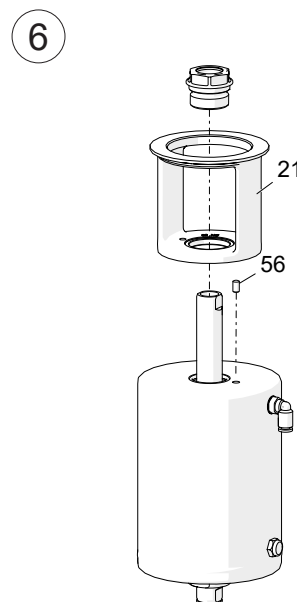
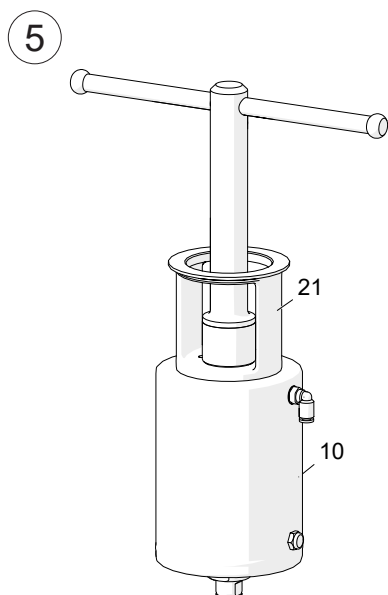
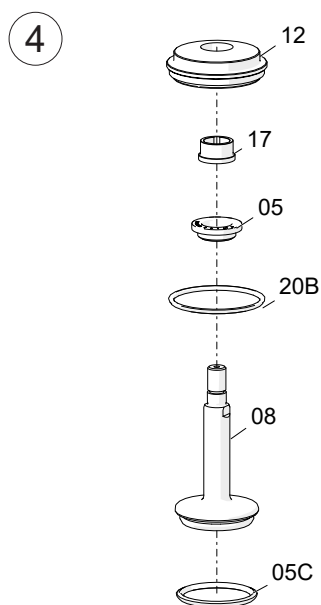
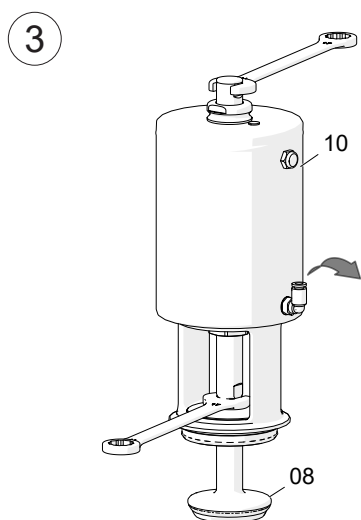
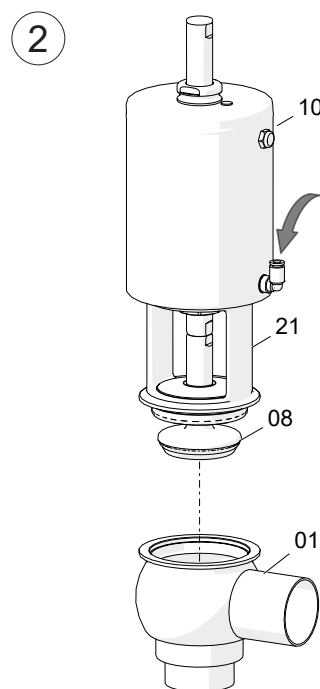
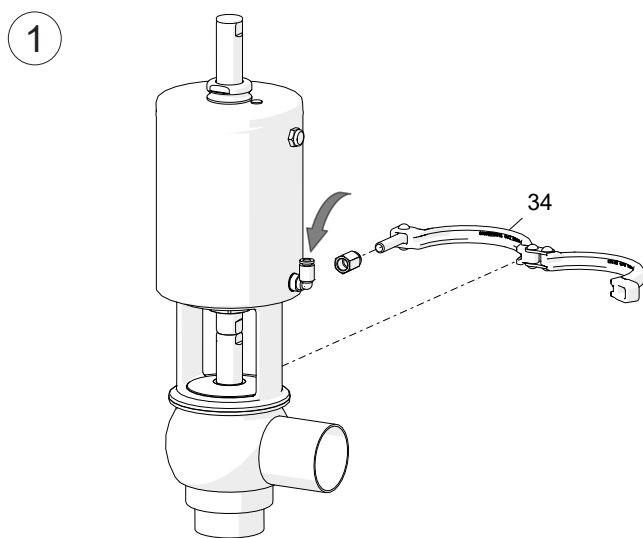
- 15 mm and 17 mm spanners to remove the shaft of the valve of DN25 size,
- two 17 mm spanners to remove the shaft of the valve of DN40 to DN100 size,
- 13 mm spanner for the clamps,
- appropriate tool (not piercing) to mount the seat seals,
- 30 mm socket wrench to remove the lantern.

### 8.4.1. Disassembly

1. To the NC valves, apply compressed air to the actuator (10) so the valve shaft (08) passes to the open position.
2. Loose and separate the clamp (34).
3. Separate the valve body (01) from the actuator (10) - lantern (32) - shaft (08) assembly.
4. To the NC valves, release the compressed air from the actuator.
5. Unscrew the valve shaft (08) from the actuator (10) shaft by two spanners.
6. Finish unscrewing the valve shaft (08) manually.
7. Remove the seat seal (05C) following the instructions of chapter [8.6. Replacing the seat seal](#).
8. Remove the body cap (12), which has been housed in the lantern (21).
9. Remove the shaft seal (05) and the O-ring (20B) from the body cap (12).
10. Remove the guide bushing (17) from the body cap (12).
11. With a socket wrench, loose threaded guide from the actuator (10) to separate de lantern (21) from the actuator (10) and remove the pin (56).

### 8.4.2. Assembly

1. Place the lantern (21) to the actuator (10) and fix its position with the pin (56).
2. Fix the lantern (21) to the actuator (10) with a socket wrench.
3. Place the guide bushing (17) on the body cap (12).
4. Place the shaft seal (05) and the O-ring (20B) on the body cap (12).
5. Place the body cap (12) in the lantern (21).
6. Mount the seat seal (05C) on the valve shaft (08) following the instructions of chapter [8.6. Replacing the seat seal](#).
7. Thread the valve shaft (08) with the actuator (10) shaft by two spanners.
8. To the NC valves, apply compressed air to the actuator (10) to the valve shaft (08) passes to the open position.
9. Place the actuator (10) - lantern (21) - shaft (08) - body cap (12) assembly on the valve body (01) and fix it with the clamp (34). The body is steerable 360°. Place the body according to the needs of the user.
10. To the NC valves, release de compressed air to the actuator.
11. Open and close the valve several times, applying compressed air to ensure the valve's assembly is correct and check that the shaft seal fits smoothly with the valve body.



10.240.32.0102

## 8.5. DISASSEMBLY AND ASSEMBLY OF THE INNOVA K VALVE



Proceed with caution. Personal injury can occur.

Always disconnect the compressed air before starting to disassemble the valve.

Never disassemble the valve clamps directly without reading the instructions carefully, since the actuator contains a spring inside it with an applied load.

Valve and actuator assembly and disassembly should only be done by qualified persons.

The following tools are needed in order to disassembly and assembly the valve and the drives:

- 15 mm and 17 mm spanners to remove the shaft of the valve of DN25 size,
- two 17 mm spanners to remove the shaft of the valve of DN40 to DN100 size,
- 13 mm spanner for the clamps,
- appropriate tool (not piercing) to mount the seat seals,
- 30 mm socket wrench to remove the lantern.

### 8.5.1. Disassembly

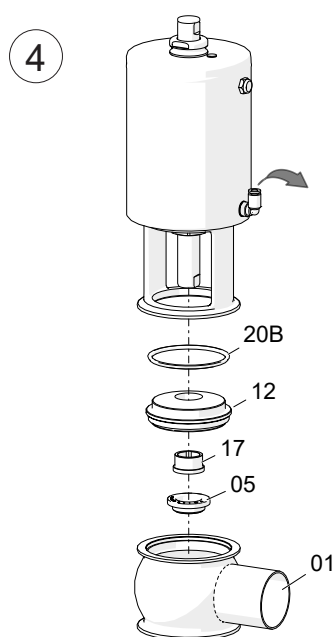
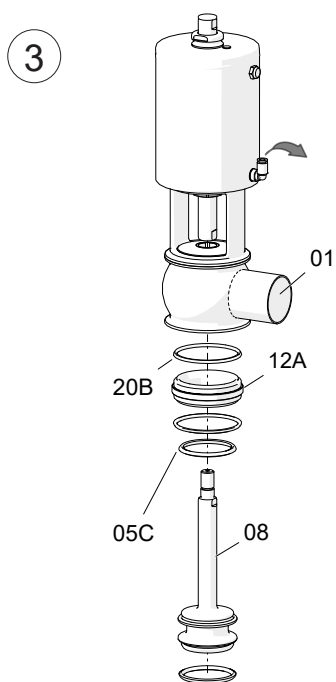
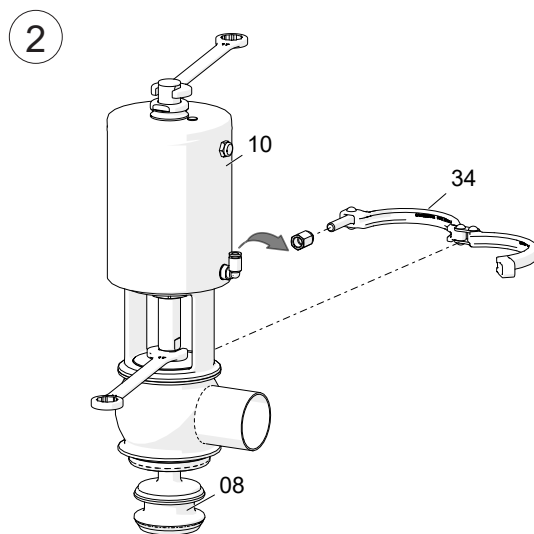
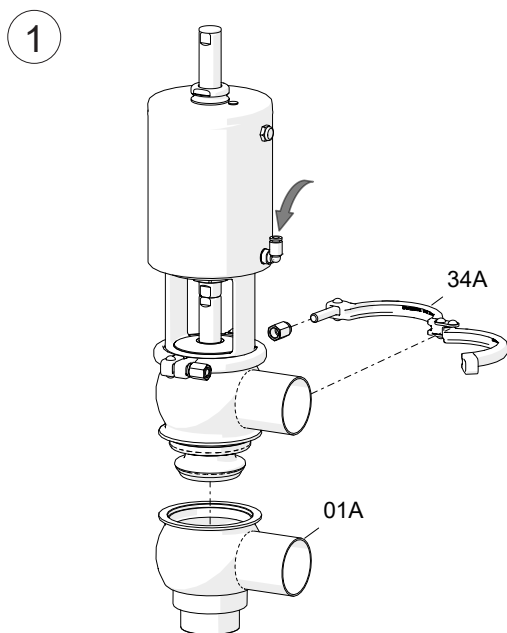
1. To the NC valves, apply compressed air to the actuator (10) so the valve shaft (08) does not touch in contact with the lower body (01A).
2. Disconnect the valve top body (01) from the pipe.
3. Loose and separate the clamp (34A).
4. Separate the valve lower body (01A) from the assembly formed by actuator (10) - lantern (21) - shaft (08) - top body (01) assembly.
5. To the NC valves, release the compressed air from the actuator (10).
6. To the NO valves, apply compressed air to the actuator (10).
7. Loose and separate the clamp (34) that joins the valve top body (01) with the lantern (21).
8. Unscrew the valve shaft (08) from the actuator (10) by two spanners.
9. Remove the seat seals (05C) following the instructions of chapter 8.6. [Replacing the seat seal](#).
10. Remove the separator bushing (12A) and its O-rings (20B).
11. Separate the valve top body (01) and the top body cap (12).
12. Remove the shaft seal (05), the guide bushing (17) and the O-ring (20B) from the cap (12) of the top body.
13. To the NO valves, release the compressed air from the actuator (10).
14. With a socket wrench, loose threaded guide from the actuator (10) to separate de lantern (21) from the actuator (10) and remove the pin (56).

### 8.5.2. Disassembly

1. Place the lantern (21) to the actuator (10) and fix its position with the pin (56).
2. Fix the lantern (21) to the actuator (10) with a socket wrench.
3. Place the guide bushing (17) on the cap (12) of the top body.
4. Place the shaft seal (05) and the O-ring (20B) on the cap (12) of the top body.
5. Place the cap (12) of the top body to the lantern (21).
6. Place the top body (01).
7. Place the two O-rings (20B) on the separator bushing (12A).
8. Place the separator bushing (12A) on the top body (01).
9. Mount the seat seals (05C) on the valve shaft (08) following the instructions of chapter 8.6. [Replacing the seat seal](#).
10. To the NO valves, apply compressed air to the actuator (10).
11. Thread the valve shaft (08) with the actuator (10) shaft by two spanners.
12. Place the top clamp (34) that joins the lantern with the top body (01). The body is steerable 360°. Place the body according to the needs of the user.
13. Mount the assembly formed by actuator (10) - top body (01) - shaft (08) on the lower body (01) of the valve.
14. To the valve NO, release the compressed air to the actuator (10).
15. To the NC valves, apply compressed air to the actuator (10).
16. Mount the top body (01) of the valve to the pipe.
17. Fix the lower clamp (34A) that joins the two valve bodies.

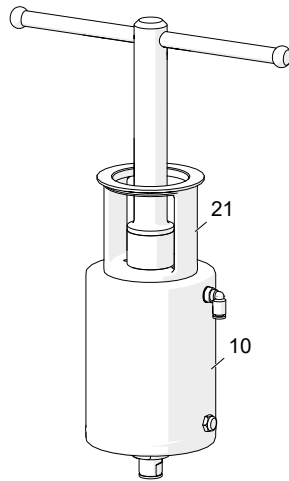
18. To the NC valves, release the compressed air to the actuator (10).

19. Open and close the valve several times, applying compressed air to ensure the valve's assembly is correct and check that the shaft seal fits smoothly with the valve body.

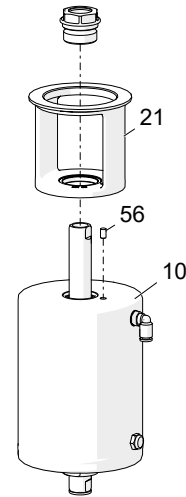


10.240.32.0103

5



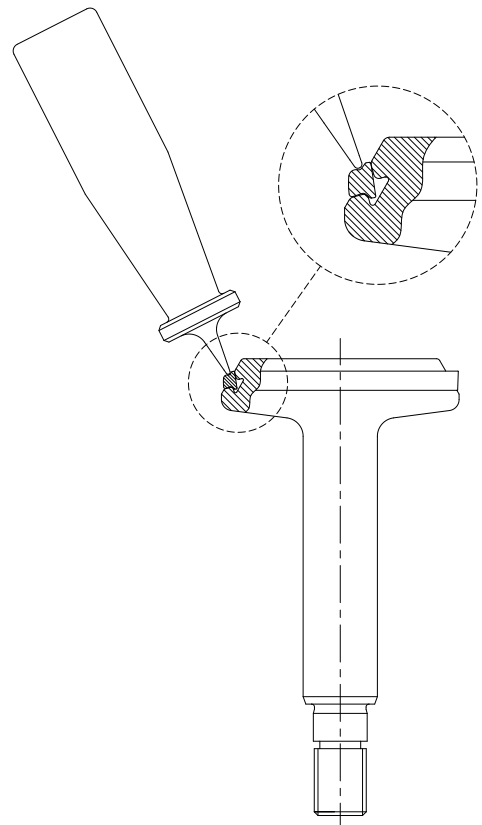
6



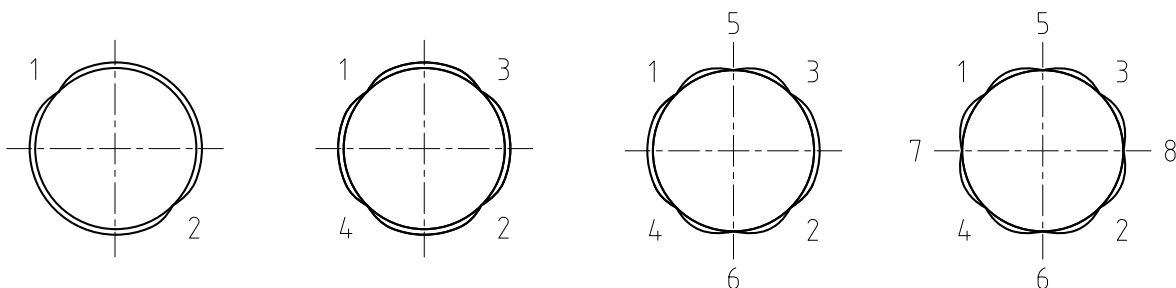
10.240.32.0103

### 8.6. REPLACING THE SEAT SEAL

1. Put the plug shaft in a vertical position –for example, with a bench clamp- so that the shaft is kept stable and no damage is caused to the mating surface of the conical seal. Do not press the shaft too much if using a bench clamp.
2. Remove the used seal using a screwdriver or a sharp hook-shaped tool. Make sure not to damage the mating surface of the seal.
3. Lubricate the new seat seal with soapy water if necessary to facilitate installation.
4. Insert the seal in the plug shaft seat accommodation so that its edges are inside the accommodation. Preferably, the seal should fit within the part of the section that has the greatest diameter, as shown in the figure.
5. Then, with the help of an appropriate tool (not piercing), press the edge of the seal that has not yet fit into the accommodation, as shown in the figure.
6. This operation should be done around the entire diameter, applying the tool in the sequence **1-2-3-4-5-6-7-8** as shown in the bottom figure. Always press on opposite sides.
7. Once you get to the last step of this sequence, repeat the process until the seal is completely inside the accommodation.
8. Press the seal with your fingers to make sure it is well seated. Make sure there are no parts projecting due to poor positioning of the seal.



10.240.32.0018



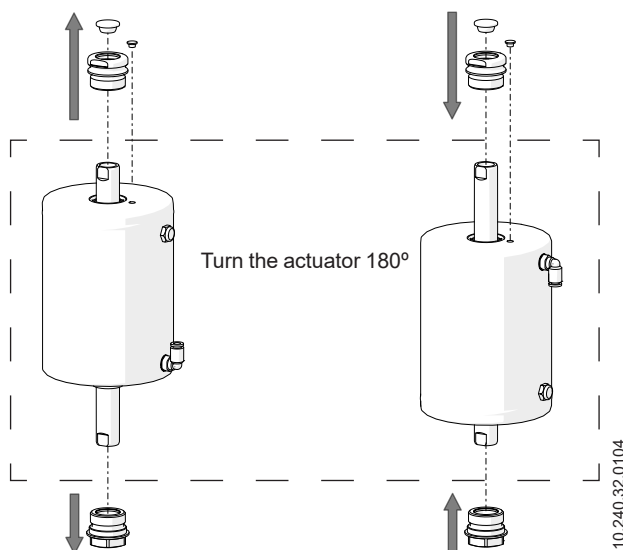
10.240.32.0017

## 8.7. ACTUATOR CONFIGURATION

The standard configuration of the valves is NC (normally closed).

If the NO (normally open) valve is needed:

1. remove the threaded guide from the lower part of the actuator,
2. remove the plugs and the threaded guide from the upper part of the actuator,
3. turn the actuator 180°,
4. place the plugs and the threaded guide on the upper part of the actuator,
5. place the threaded guide on the bottom part of the actuator.



## 8.8. DISASSEMBLY AND ASSEMBLY OF ADAPTER KIT OF THE CONTROL HEAD



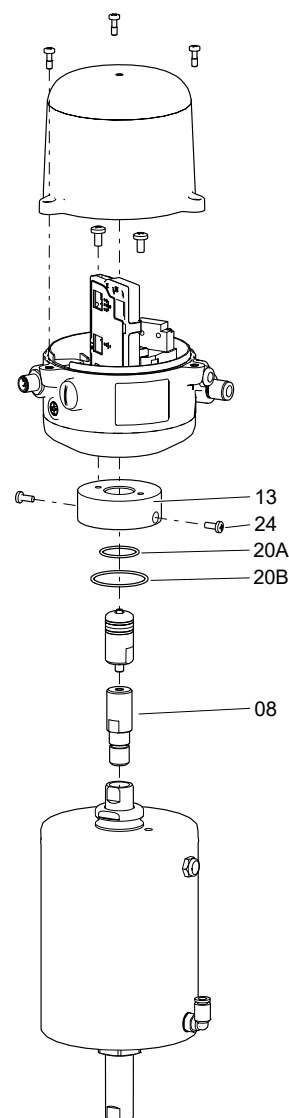
Check that the actuator is without pressure before starting the assembly or disassembly works.

### 8.8.1. Disassembly

1. Disconnect the compressed air supply.
2. Loosen the screws (24) from the adapter base (13) and separate the control head from the actuator.
3. Remove the cover of the control head.
4. Loosen the screws that join the control head to the adapter base (13).
5. Separate the adapter base (13) from the control head.
6. Remove the O-rings (20A,20B) from the adapter base (13).
7. Unscrew the magnet from the adapter shaft (08).
8. Unscrew the adapter shaft (08) from the actuator shaft.

### 8.8.2. Assembly

1. Place the O-rings (20A,20B) on the adapter base (13).
2. Remove the plugs from the actuator.
3. Screw the adapter shaft (08) on the actuator shaft.
4. Screw the plug on the adapter shaft (08).
5. Place the adapter base (13) on the actuator and fix it with the screws (24).
6. Remove the cover of the control head.
7. Place the control head and fix it to the adapter base (13).
8. Place the control head.



# 9. Technical Specifications

## 9.1. VALVE

Maximum working pressure	1000 kPa (10 bar)
Minimum working pressure	vacuum
Maximum working temperature	121°C (250°F) EPDM seals (for higher temperatures other grades of seals will be used)

## 9.2. ACTUATOR

Compressed air pressure	600 - 800 kPa (6 - 8 bar)
Compressed air quality	per ISO 8573-1:2010: <ul style="list-style-type: none"> <li>- <u>Solid particulate content</u>: quality class 3, max. particle dimension = 5 µ, max particle density = 5 mg/m<sup>3</sup>.</li> <li>- <u>Water content</u>: quality class 4, max. dew point = 2°C. If the valve is used at a high altitude or under low ambient temperature conditions, the dew point must be adjusted accordingly.</li> <li>- <u>Oil content</u>: quality class 5, preferentially oil free, max. 25 mg oil per 1 m<sup>3</sup> air.</li> </ul>

Compressed air fitting	G 1/8
Compressed air consumption (litres N/cycle of P <sub>rel</sub> = 6 bar)	

T1		T2		T3		T4	
A/S	A/A	A/S	A/A	A/S	A/A	A/S	A/A
1,1	1,8	2,5	4,0	3,7	6,1	5,6	10,4

## 9.3. MATERIALS

Parts in contact with the product	1.4404 (AISI 316L)
Other steel parts	1.4301 (AISI 304)
Seals in contact with the product	EPDM (standard) - FPM - HNBR
Internal surface finish	bright polish Ra ≤ 0,8 µm
External surface finish	matt

## 9.4. SIZES AVAILABLE

DIN EN 10357 serie A <small>(formerly DIN 11850 series 2)</small>	DN 25 - DN 100
ASTM A269/270 <small>(corresponds to OD tube)</small>	OD 1" - OD 4"
Connections	weld

## 9.5. WEIGHTS OF INNOVA N VALVE

DN	Weight [kg]							
	T1		T2		T3		T4	
	A/S	A/A	A/S	A/A	A/S	A/A	A/S	A/A
25	4,0	3,4	-	-	-	-	-	-
40	4,8	4,1	-	-	-	-	-	-
50	-	-	7,9	6,3	-	-	-	-
65	-	-	-	-	12,4	9,7	-	-
80	-	-	-	-	13,5	10,8	-	-
100	-	-	-	-	-	-	20,5	16,3



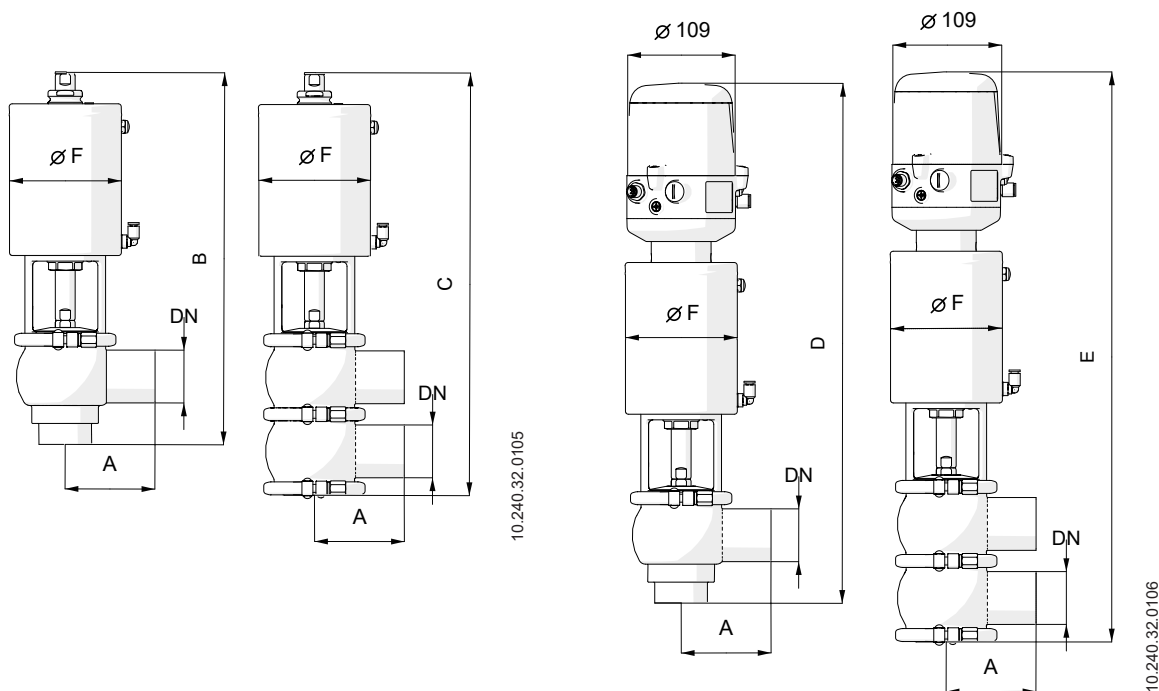
DN	Weight [kg]							
	T1		T2		T3		T4	
	A/S	A/A	A/S	A/A	A/S	A/A	A/S	A/A
1"	4,0	3,3	-	-	-	-	-	-
1½"	4,8	4,1	-	-	-	-	-	-
OD	2"	-	-	7,9	6,3	-	-	-
	2½"	-	-	-	-	12,4	9,6	-
	3"	-	-	-	-	13,5	10,8	-
	4"	-	-	-	-	-	-	20,4 16,2

9.6. WEIGHTS OF INNOVA K VALVE

DN	Weight [kg]							
	T1		T2		T3		T4	
	A/S	A/A	A/S	A/A	A/S	A/A	A/S	A/A
25	4,7	4,0	-	-	-	-	-	-
40	6,2	5,5	-	-	-	-	-	-
DIN	50	-	-	9,7	8,1	-	-	-
	65	-	-	-	-	15,4	12,7	-
	80	-	-	-	-	17,8	15,1	-
	100	-	-	-	-	-	-	26,5 22,3
OD	1"	4,7	4,0	-	-	-	-	-
	1½"	6,1	5,4	-	-	-	-	-
	2"	-	-	9,6	8,0	-	-	-
	2½"	-	-	-	-	15,3	12,5	-
	3"	-	-	-	-	17,6	14,8	-
	4"	-	-	-	-	-	-	26,4 22,2

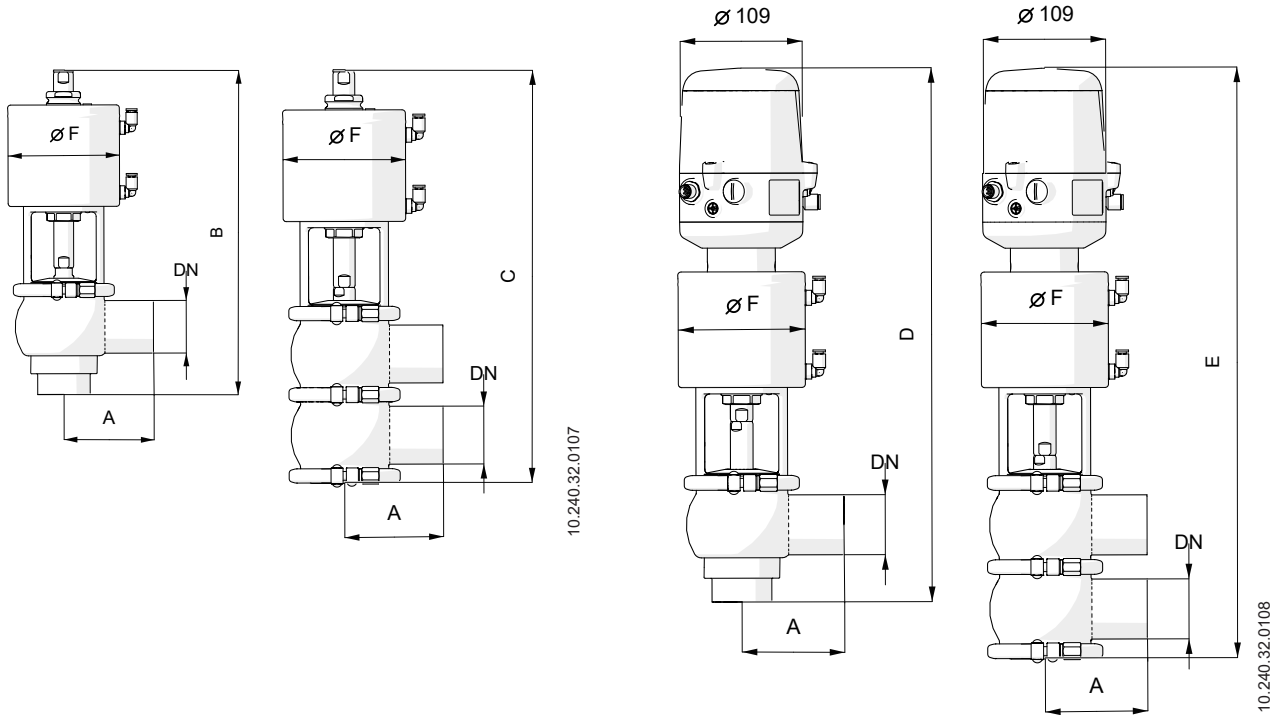
9.7. DIMENSIONS OF THE INNOVA N VALVE

9.7.1. INNOVA N valve with A/S actuator



DN	Dimensions [mm]					
	A	B	C	D	E	ØF
25	50	325	355	450	485	90
40	85	345	385	470	510	90
DIN	50	90	410	460	525	115
	65	110	440	500	555	140
	80	125	455	530	570	140
	100	150	510	585	630	170
OD	1"	50	320	350	450	90
	1½"	85	340	375	470	90
	2"	90	410	455	525	115
	2½"	110	435	490	550	140
	3"	125	450	515	565	140
	4"	150	510	580	625	695

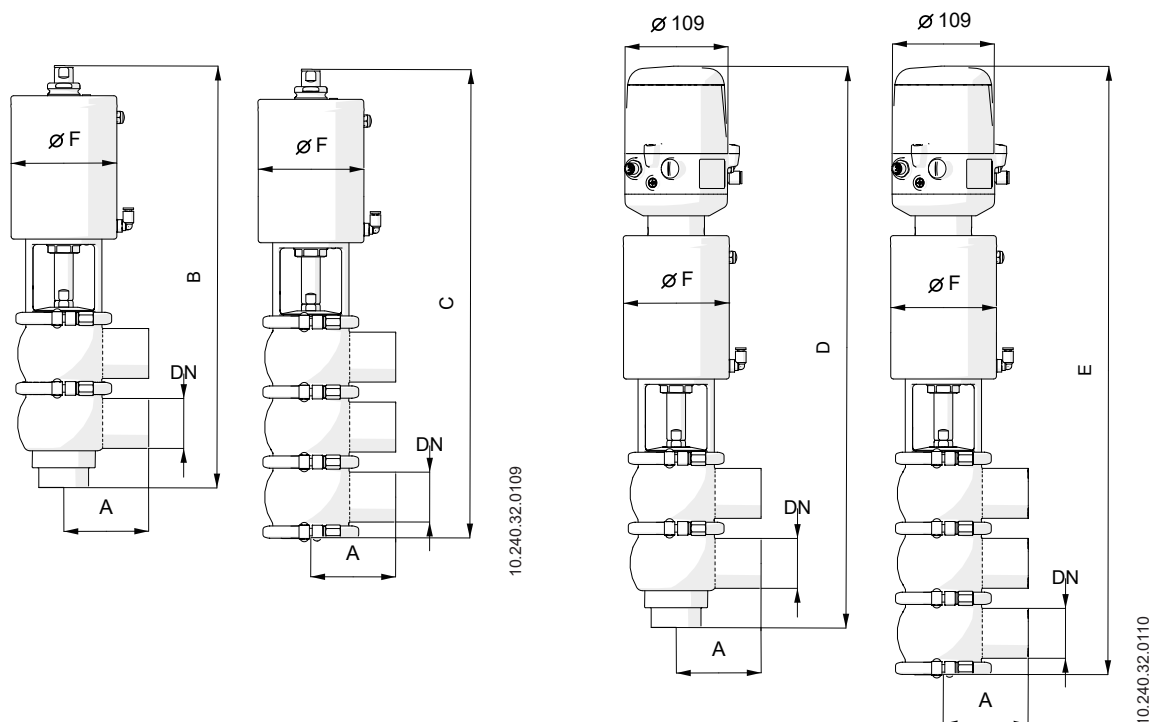
9.7.2. INNOVA N valve with A/A actuator



DN	Dimensions [mm]					
	A	B	C	D	E	ØF
25	50	295	325	420	455	90
40	85	315	355	440	480	90
DIN	50	90	360	410	475	115
	65	110	390	450	505	140
	80	125	405	480	520	140
	100	150	460	535	580	170
OD	1"	50	290	320	420	90
	1½"	85	310	345	440	90
	2"	90	360	405	475	115
	2½"	110	385	440	500	140
	3"	125	400	465	515	140
	4"	150	460	530	575	645

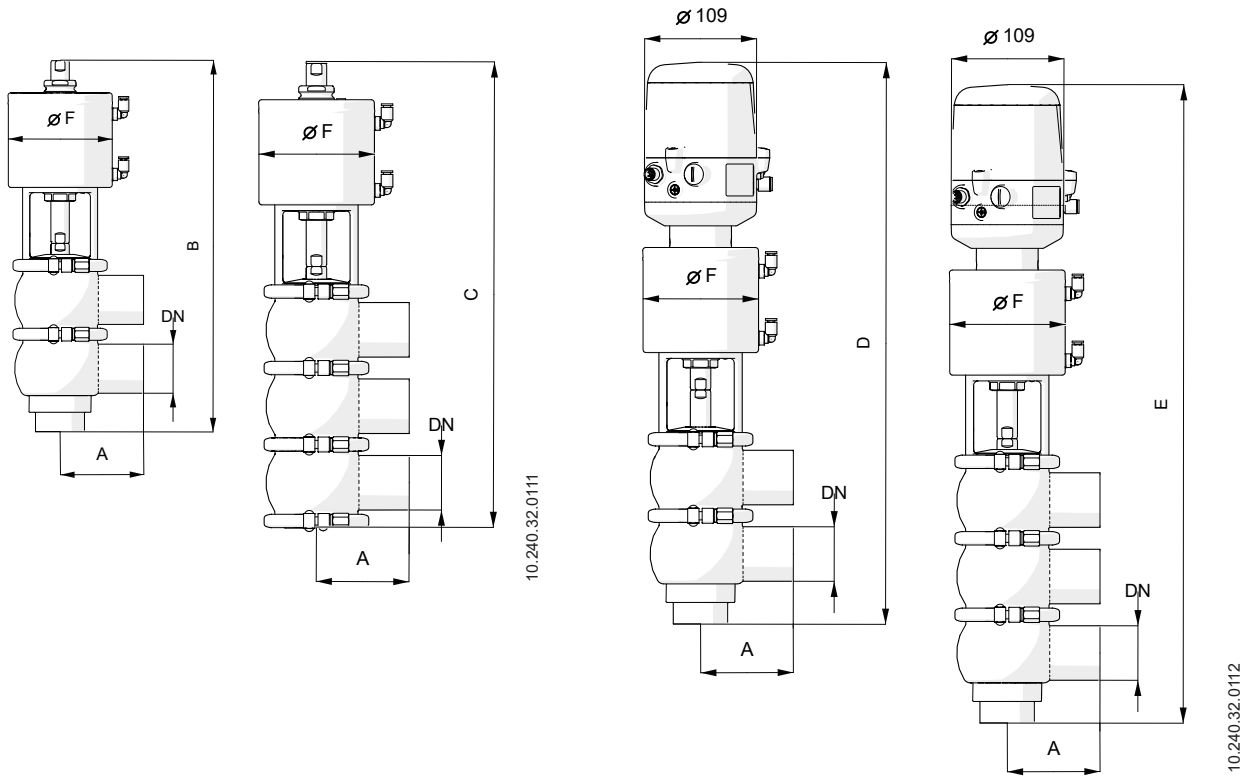
### 9.8. DIMENSIONS OF THE INNOVA K VALVE

#### 9.8.1. INNOVA K valve with A/S actuator



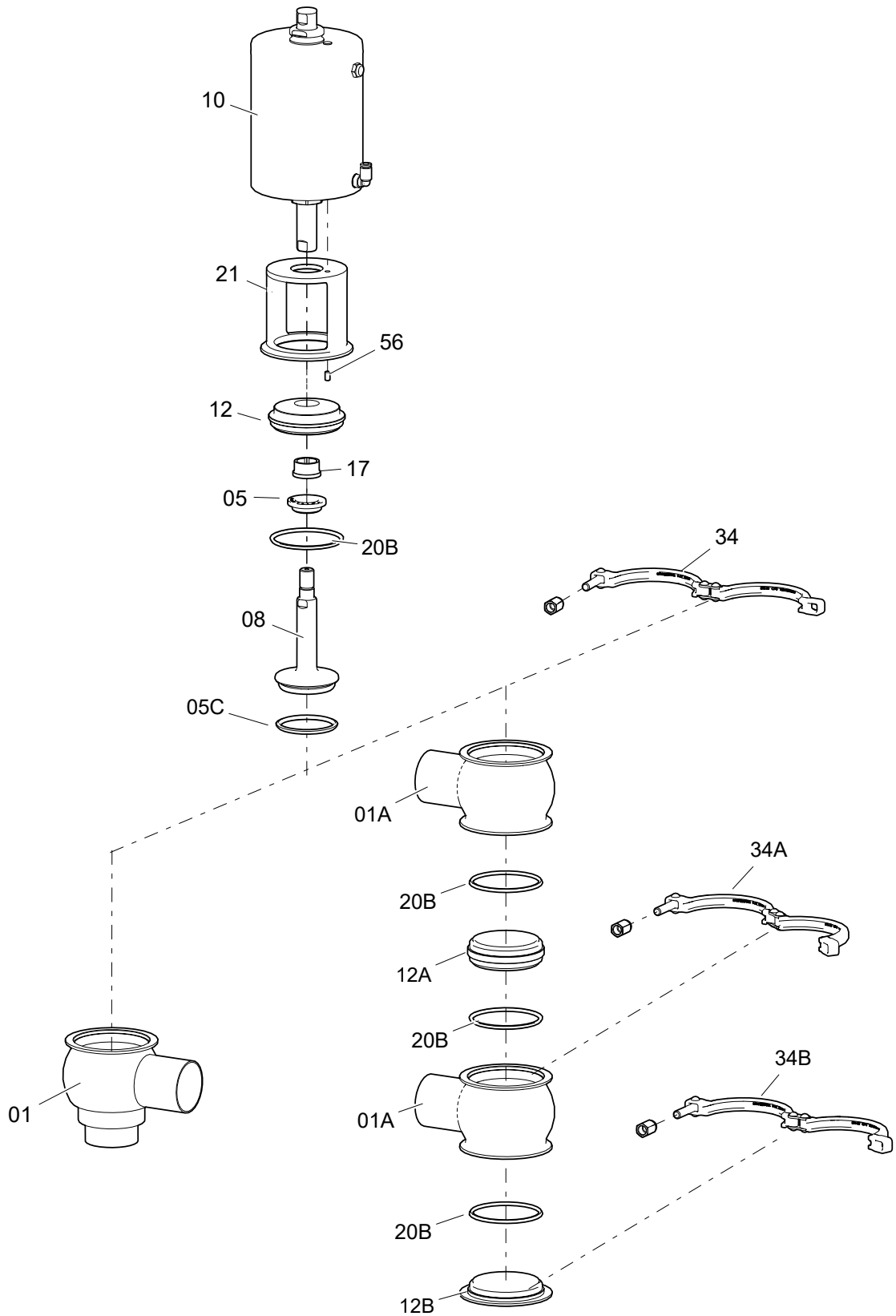
DN	Dimensions [mm]						
	A	B	C	D	E	ØF	
25	50	370	400	500	535	90	
40	85	400	440	530	570	90	
DIN	50	90	480	530	600	115	
	65	110	520	585	645	140	
	80	125	550	630	680	140	
	100	150	635	705	755	170	
	1"	50	365	395	495	520	90
OD	1½"	85	400	435	530	565	90
	2"	90	475	525	600	645	115
	2½"	110	520	575	640	695	140
	3"	125	545	610	665	730	140
	4"	150	630	700	750	820	170

9.8.2. INNOVA K valve with A/A actuator



DN	Dimensions [mm]						
	A	B	C	D	E	ØF	
25	50	340	370	470	505	90	
40	85	370	410	500	540	90	
DIN	50	90	430	480	550	115	
	65	110	470	535	595	140	
	80	125	500	580	630	140	
	100	150	585	655	705	170	
	1"	50	335	365	465	490	90
OD	1½"	85	370	405	500	535	90
	2"	90	425	475	550	595	115
	2½"	110	470	525	590	645	140
	3"	125	495	560	615	680	140
	4"	150	580	650	700	770	170

9.9. EXPLODED DRAWING AND PARTS LIST OF THE INNOVA N VALVE



10.240.32.0115

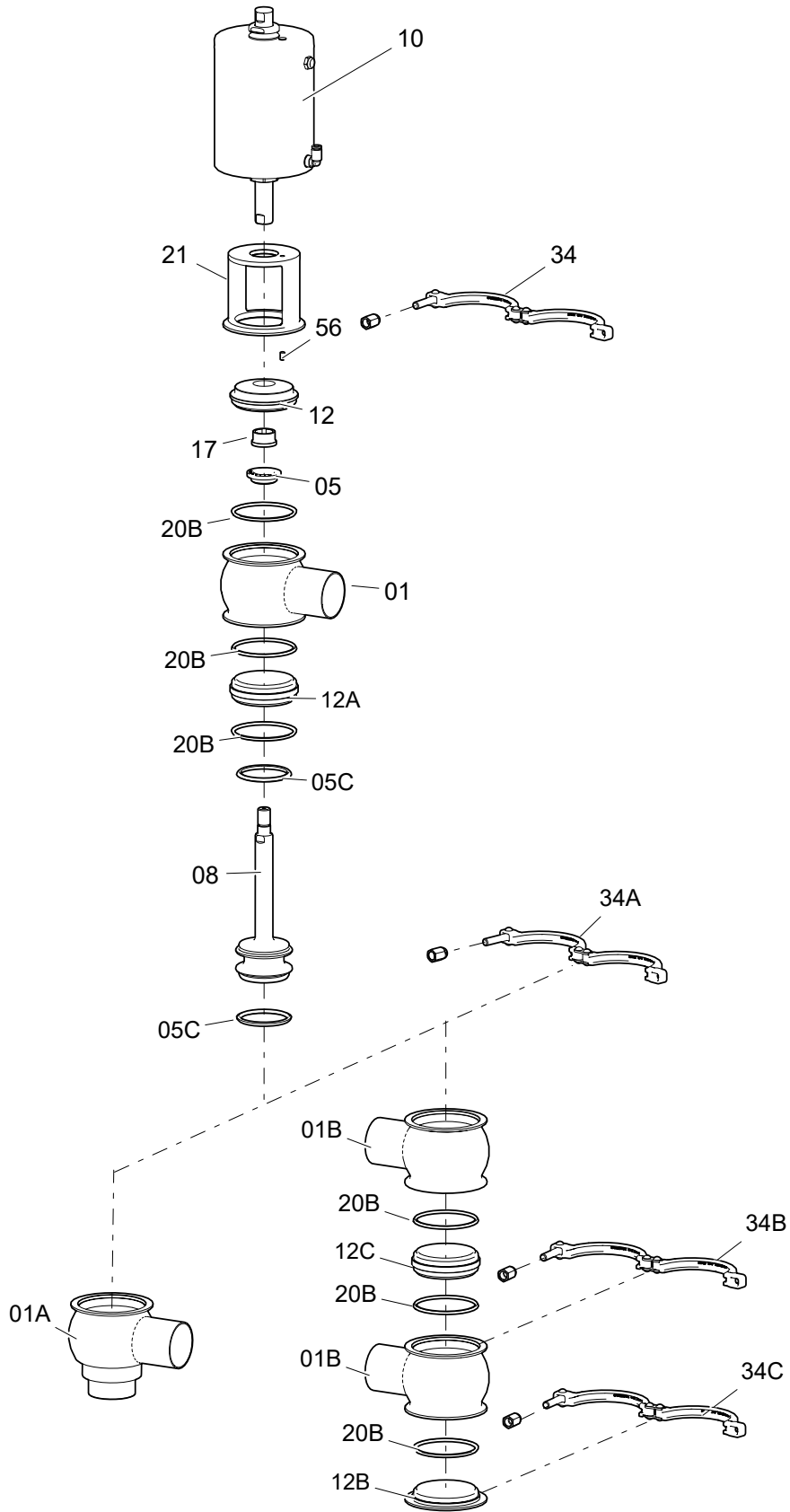
Position	Description	Quantity		Material
		A <sup>1</sup>	B <sup>2</sup>	
01	body	1	-	1.4404 (AISI 316L)
01A	body	-	2	1.4404 (AISI 316L)
05	shaft seal <sup>3</sup>	1	1	EPDM / FPM / HNBR
05C	conical seat seal <sup>3</sup>	1	1	EPDM / FPM / HNBR
08	shaft	1	1	1.4404 (AISI 316L)
10	actuator	1	1	1.4307 (AISI 304L)
12	top body cap	1	1	1.4404 (AISI 316L)
12A	separator bushing	-	1	1.4404 (AISI 316L)
12B	lower body cap	-	1	1.4404 (AISI 316L)
17	guide bushing <sup>3</sup>	1	1	PTFE
20B	O-ring <sup>3</sup>	1	4	EPDM / FPM / HNBR
21	lantern	1	1	1.4301 (AISI 304)
34,34A,34B	clamp	1	3	1.4301 (AISI 304)
56	pin	1	1	A2

1) 1 body (L / T)

2) 2 bodies (A / B / C / D)

3) recommended spare parts

9.10. EXPLODED DRAWING AND PARTS LIST OF THE INNOVA K VALVE



10.240.32.0116

Position	Description	Quantity		Material
		A <sup>1</sup>	B <sup>2</sup>	
01	body	1	1	1.4404 (AISI 316L)
01A	body	1	-	1.4404 (AISI 316L)
01B	body	-	2	
05	shaft seal <sup>3</sup>	1	1	EPDM / FPM / HNBR
05C	conical seat seal <sup>3</sup>	2	2	EPDM / FPM / HNBR
08	shaft	1	1	1.4404 (AISI 316L)
10	actuator	1	1	1.4307 (AISI 304L)
12	top body cap	1	1	1.4404 (AISI 316L)
12A,12C	separator bushing	1	2	1.4404 (AISI 316L)
12B	lower body cap	-	1	1.4404 (AISI 316L)
17	guide bushing <sup>3</sup>	1	1	PTFE
20B	O-ring <sup>3</sup>	3	6	EPDM / FPM / HNBR
21	lantern	1	1	1.4301 (AISI 304)
34,34A,34B,34C	clamp	2	4	1.4301 (AISI 304)
56	pin	1	1	A2

1) 2 bodies (H / E / F / G)

2) 3 bodies (J / P / R / S / V / W / X / Z)

3) recommended spare parts









**How to contact INOXPA S.A.U.:**

Contact details for all countries are continually updated on our website.

Please visit [www.inoxpa.com](http://www.inoxpa.com) to access the information.



INOXPA S.A.U.  
Telers, 60 - 17820 - Banyoles - Spain

